


Specifications
Weight: 66lbs.

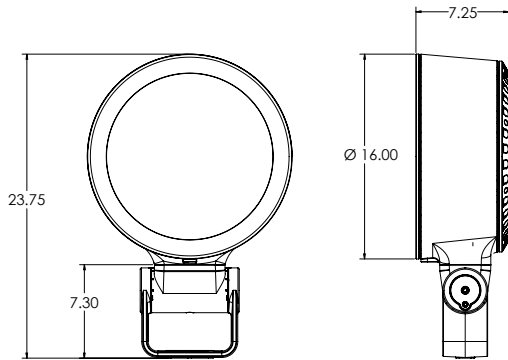
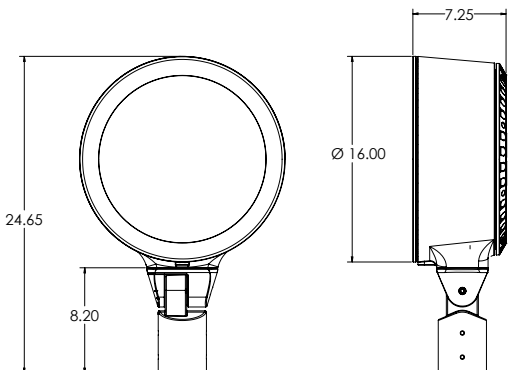
EPA: KTM: 2.00

YM: 2.10

SAF28F RGBW SPECIALTY ARCHITECTURAL FLOOD FLAME MVOLT LED

HIGHLIGHTS

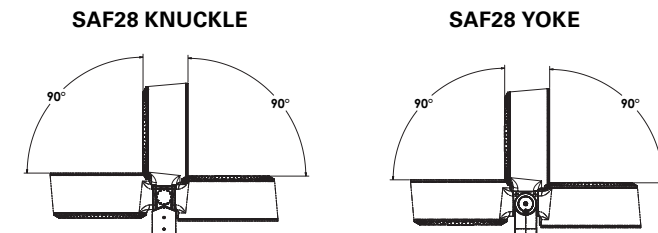
- Lighting effects using two beams
- Available Flame distributions: Narrow (30DEG with 10DEG), Wide (70DEG with 30DEG), Lotus (70DEG with 10DEG)
- Suitable for a variety of mounting applications including ground, wall, pole, stanchion
- DMX/RDM
- Taper-Lock technology provides full aiming integrity utilizing both a rugged knuckle and yoke design
- Minimalist design that provides clean and intentional lines and transitions
- Industry leading flow through design achieve with separately sealed optical chamber and driver
- Quad chip technology, enabling optimal color mixing under each individual optic. Avoid striations and color separation when wall grazing/washing
- IK10 option available


DIMENSIONS

YOKE

KNUCKLE
LUMEN PACKAGES

	N30DEG		W70DEG		L70DEG	
	Outer	Center	Outer	Center	Outer	Center
Delivered Lumens	2464	2485	2153	2450	2153	2485
*Total Watts (all on)	103		103		103	
Max Candela	6215	62,556	1470	6179	1470	62,556

*Note: Total system watts based on channel selection is a maximum of 165 watts

STANDARD DISTRIBUTION

AIMING DETAIL


ORDERING INFORMATION
EXAMPLE: SAF28F LED P1 RGBW4 MVOLT N30DEG FLC KTM CPM DMX BL

SAF28F												
Series*	Source*	Performance Packages*	LED Dynamic Range*	Voltage*	Distribution*	Lens*	Mounting*					
SAF28F	Specialty Architectural Flood Flame	LED	P1	RGBW4 40K white (80CRI)	MVOLT	N30DEG Narrow Flame 30° Outer Beam & 10° Central Beam W70DEG Wide Flame 70° Outer Beam & 30° Central Beam L70DEG Lotus Flame 70° Outer Beam & 10° Central Beam	FLC Flat Lens Clear Note: FLC lens IK08. For IK10 use external WRG option.	KTM Knuckle Tenon Mount YM Yoke				
Mounting Accessories		Options Accessory		Options		Control Input		External		Finish*		
CPM	Cylindrical Pedestal Mount	Hardware		CSL 10' - 50' of cord available in 5' increments		DMX		GS	Glare shield	BL	Black Textured	
CPMSA	Cylindrical Pole Mount Splice Access	TPH Tamper proof hardware		Note: Cord length required for Yoke Mounting only				FGS	Full Glare Shield	BRS	Bronze Smooth	
CSM	Cylindrical Stancion Mount 12"-48" available in 6" increments							WRG	Wire Rock Guard	BRT	Bronze Textured	
CWMA_T	Cylindrical Wall Mount Arm Top 12", 18" and 24"									CF	Custom Finish	
PAR/_	Pole Arm Mounting for Round Poles, available to use with 4", 5", 6" pole and available in lengths of 12", 18", 24"									DBL	Black Smooth	
PAS/_	Pole Arm Mounting for Square Poles, available to use with 4", 5", 6" pole and available in lengths of 12", 18", 24"									DDB	Designer Bronze	
PATR/_	Pole Arm Twin Mounting for Round Poles, available to use with 4", 5", 6" pole and available in lengths of 12", 18", 24"									DNA	Natural Aluminum	
PATS/_	Pole Arm Twin Mounting for Square Poles, available to use with 4", 5", 6" pole and available in lengths of 12", 18", 24"									NBS	Natural Bronze Smooth	
TNM	Tenon Mount									VET	Verde Textured	
											WH	White Textured
											WHS	White Smooth
											_Z	Zinc Undercoat (i.e.BLZ) Note: Zinc Undercoat provides corrosion protection for Marine Environment and Natatorium Construction
											CF	Custom Finish
											RALTB	RAL Paint Finishes Note: RALTB for pricing only, replace with applicable RAL call out when ready to order. See the RALBROCHURE for available options. It is recommended that Hydrel products only use textured paint.

*Required Fields

PERFORMANCE DATA

LUMEN OUTPUT – SAF28F_RGBW

Lumen values are from photometric tests performed in accordance with IESNA LM-79-08. Data is considered to be representative of the configurations shown, within the tolerances allowed by Lighting Facts. Actual performance may differ as a result of end-user environment and application. Contact factory for performance data on any configurations not shown here.

Performance Package	System Watts	Distribution Type		Field Angle		Beam Angle		RGBW4	
				H	V	H	V	Max CD	Lumens
P1	165	N30DEG	Outer	61	61	33	33	6215	2464
			Center	18	18	9	9	62,556	2485
		W70DEG	Outer	111	111	77	77	1470	2153
			Center	61	61	33	33	6179	2450
		L70DEG	Outer	111	111	77	77	1470	2153
			Center	18	18	9	9	62,556	2485

CSA LISTING TEMPERATURE: -30°C though 25°C

ELECTRICAL LOAD

Light Engines	System Watts	Current (A)			
		120	208	240	277
RGBW P1	165	1.38	0.80	0.69	0.60

LUMEN AMBIENT TEMPERATURE (LAT) MULTIPLIERS

Use these factors to determine relative lumen output for average ambient temperatures from 0-40°C (32-104°F)

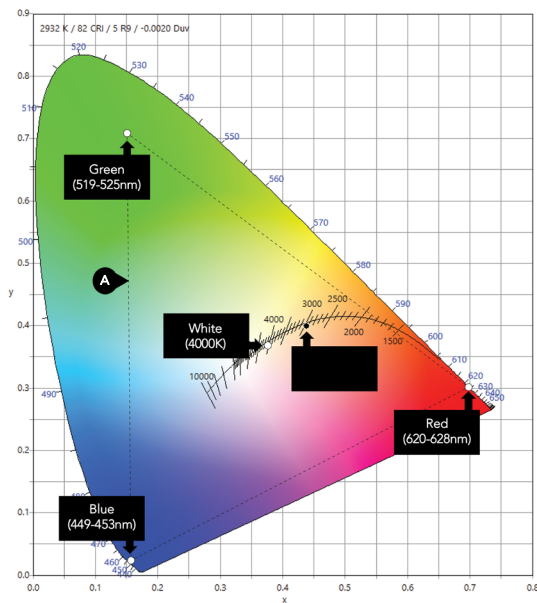
Ambient	RGBW Lumen Multiplier
0°C	1.27
10°C	1.16
20°C	1.05
25°C	1.00
30°C	0.94
40°C	0.83

Optical Scaling Charts*

GS	0.96
FGS	0.95

Note: This table can be used to approximate the lumen values with different accessories. Please see IES files for exact lumen outputs.

RGBW GAMUT AND RANGE



A RGBW Range within triangle formed by RGB

- The Gamut of a luminaire determines the potential color range, specifically the dominant wavelength of each primary color.
- The Path determines the range of colors the user can select for the luminaire.

ARCHITAINMENT COLOR GPHD

- **Gamut** Triangular
- **Path** Full RGB gamut
- **Handle** Four Handles: Red, Green, Blue, White
- **Data** DMX512/RDM

The RGBW Range reaches the full range of saturated colors and subtle pastels to create bold transformational effects.




PHOTOMETRIC DIAGRAMS

To see complete photometric reports or download .ies files for this product, visit www.hydre.com

SAF MOUNTING ACCESSORIES

		Part #
	<p>CPM Cylindrical Pedestal Mount</p> <ul style="list-style-type: none"> • Suitable for architectural and landscape applications • Provided with front access cover for easy wiring and installation. 	<p>Example: CPM TC BL See spec sheet for more options</p>
	<p>CPMSA Cylindrical Pole Mount Splice Access</p> <ul style="list-style-type: none"> • Designed to mount atop of 4" round poles • Provided with splice compartment 	<p>Example: CPMSA TC DBL See spec sheet for more options</p>
	<p>CSM Cylindrical Stanchion Mount</p> <ul style="list-style-type: none"> • Available in heights from 12" to 48" in 6" increments • Provided with front access cover for easy wiring and installation. 	<p>Example: CSM12 XLSC BRT See spec sheet for more options</p>
	<p>CWMA T Cylindrical Wall Mount Arm End or Top</p> <ul style="list-style-type: none"> • Available in lengths from 12", 18", 24" • Supplied with splice cover for easy wiring and installation • End mounting only available with SAF7 	<p>Example: CWMA12T TC BRS See spec sheet for more options</p>
	<p>PAR/PAS Pole Arm Mounting</p> <ul style="list-style-type: none"> • Mid pole arms for use on 4", 5", 6" round or square poles • Pole arms lengths available in 12", 18", 24" • One mounting location on the top of each arm 	<p>Example: PAR4/12 XLSC BL See spec sheet for more options</p>
	<p>PATR/PATS Pole Arm Mounting</p> <ul style="list-style-type: none"> • Mid pole arms for use on 4", 5" 6" round or square poles • Pole arms lengths available in 12", 18", 24" • Two mounting locations on the top of each arm 	<p>Example: PATS5/18 XLSC BZ See spec sheet for more options</p>
	<p>TNM Tenon Mount</p> <ul style="list-style-type: none"> • Accepts 2-3/8" tenon mount fixture • Mounts independently over recessed 4-0/4-5 box or conduit stub 	<p>Example: TNM BL See spec sheet for more options</p>

EXTERNAL ACCESSORIES

		Part #
	<ul style="list-style-type: none"> • WRG -Wire Rock Guard 	<p>Example: WRGSAF28 BL</p>
	<ul style="list-style-type: none"> • FGS- Full Glare Shield 	<p>Example: FGSSAF28 DDB</p>
	<ul style="list-style-type: none"> • GS- Glare Shield 	<p>Example: GSSAF28 BL</p>

ACCESSORY OPTIONS

TAKE CONTROL

Hydrel lighting solutions bring ease of use, innovation, and next-generation control features to commercial, underwater, and architectural outdoor applications. We offer a dedicated team of specification engineers to take you through lighting design, the specification process, to the installation of our fixtures. We simplify the complex and help you create the right layer of light for any outdoor lighting environment. Find the right architectural outdoor fixture, controls, and network connectivity with Hydrel Lighting Solutions.

FRESCO CONTROL SYSTEM

Series	Model	Options	Finish
FCS	Fresco Control System	7TSN 7" touchscreen with nLight port	X DMX/RMD control
			DBL Black DWH White DNA Natural Aluminum

Refer to [FRESCO](#) spec sheet for additional details and options.



EASYL - LED SHOW CONTROLLER WITH LCD TOUCHSCREEN (INTETRAL POWER SUPPLY)

Series	Voltage	Finish
EZSOLO Easyl Solo	MVOLT 120V-277V VAC, 50/60Hz	BK Black
EZTOUCH Easyl Touch		Wh White
EZPRO Easyl Pro		

Refer to [EASYL](#) spec sheet for additional details and options.



PATHWAY Connectivity Solutions- DMX lighting and networking with scalable networks



Refer to [PATHWAY](#) spec sheets for additional details and options.

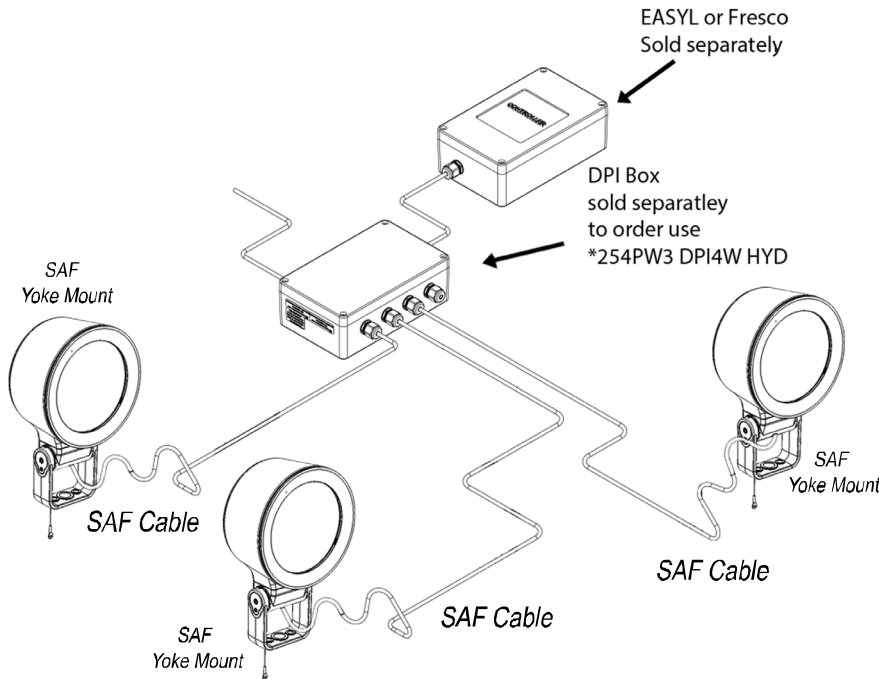
DMX / POWER INTEGRATOR

Model
DPI4WHYD DPI4WHYD - DMX/Power Integrator Box

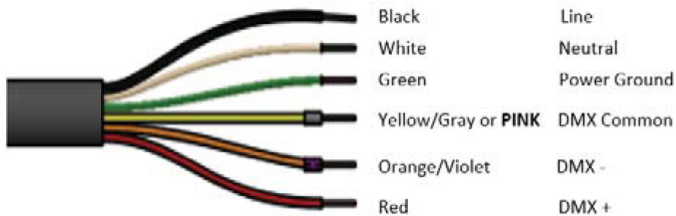
Refer to [DPI4WHYD](#) spec sheet for additional details.



WIRING AND LAYOUT DESIGN



Wiring Detail - DMX RGBW Fixture



FEATURES & SPECIFICATIONS

MATERIAL: Die cast copper-free aluminum (A360) housing & doors with separate optical and driver compartments to ensure thermal isolation of the electronic drivers and LED's.

VOLTAGE: MVOLT 120V-277V.

DISTRIBUTION: Available in N30DEG, W70DEG and L70DEG.

LENS: Molded from heat strengthened borosilicate glass for superior clarity and strength.

MOUNTING: Adjustable knuckle is for mounting over 2-3/8" O.D. tenon. Yoke mount is a 7/8" thru hole center and (2) 7/16" thru holes 2.2" on center. Aluminum knuckle, yoke, & stainless steel locking hardware with infinite aiming adjustment capabilities and a wide array of mounting accessories. Yoke mount luminaires are provided with 10'-50' at 5ft increments of 18 gauge/6 conductor ST cord for power supply and control. Knuckle mount luminaires are provided with 18" leads (18 gauge for power supply and 22 gauge for control). Provided with standard 24" safety cable.

GLARE CONTROL: External glare control options include full glare shields and half glare shields.

FINISH: Exterior parts are protected by a zinc-infused super durable TGIC thermoset powder coat finish that provides superior resistance to corrosion and weathering. A tightly controlled multi-stage process ensures a minimum 3 mils thickness for a finish that can withstand extreme climates without cracking or peeling.

ELECTRICAL: MVOLT (120-277) LED power supply. 165 watts, minimum of L83 at 100,000 hours at 25°C. Class 1 electronic driver has a power factor >90%, THD<10%, and has an expected life of 100,000 hours with <1% failure rate. 10kV surge protection meets a minimum Category C low operation per ANSI/IEEE C62.41.2.

FEATURES: Taper lock knuckle and yoke for infinite aiming and an unparalleled locking ability.

EXTERNAL ACCESSORY: Impact resistant grid rock guard.

LISTING: Suitable for outdoor & wet location. IP68

BUY AMERICAN ACT: This product is assembled in the USA and meets the Buy America(n) government procurement requirements under FAR, DFARS and DOT regulations. Please refer to www.acuitybrands.com/buy-american

WARRANTY: 5-year limited warranty. This is the only warranty provided and no other statements in this specification sheet create any warranty of any kind. All other express and implied warranties are disclaimed. Complete warranty terms located at: www.acuitybrands.com/support/warranty/terms-and-conditions

Consult factory for details

NOTE: Actual performance may differ as a result of end-user environment and application. All values are design or typical values, measured under laboratory conditions at 25 °C. Specifications subject to change without notice.