



SAF14F RGBW SPECIALTY ARCHITECTURAL FLOOD FLAME MVOLT LED

HIGHLIGHTS

- Lighting effects using two beams
- Available Flame distributions: Narrow (30DEG with 10DEG), Wide (70DEG with 30DEG), Lotus (70DEG with 10DEG)
- Suitable for a variety of mounting applications including ground, wall, pole, stanchion
- Performance color mixing utilizing high output quad LED
- DMX/RDM
- Taper-Lock technology provides full aiming integrity utilizing both a rugged knuckle and yoke design
- IK10 option available
- Minimalist design that provides clean and intentional lines and transitions
- Slightly convex watershed lens that evades water build up and staining
- Industry leading flow through design achieve with separately sealed optical chamber and driver
- Quad chip technology, enabling optimal color mixing under each individual optic. Avoid striations and color separation when wall grazing/washing



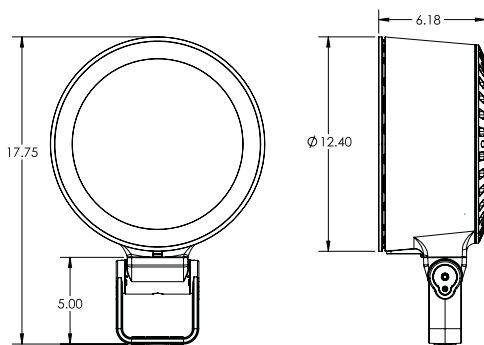
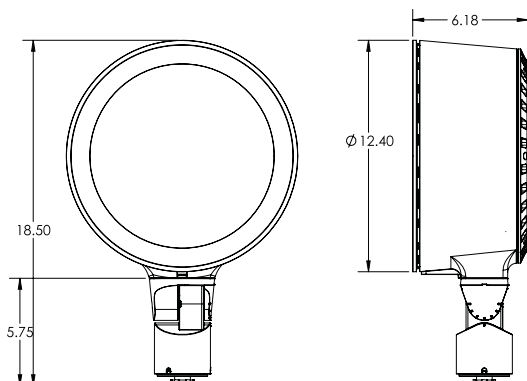
IP68



Specifications

Weight:	34lbs
EPA:	KM: 1.24 YM: 1.21

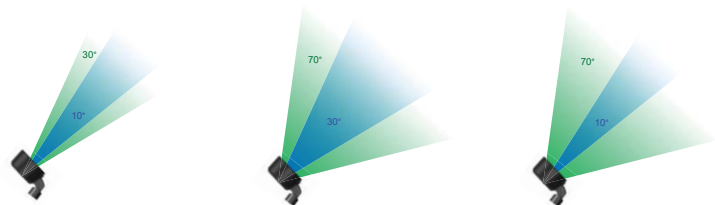
DIMENSIONS


YOKE

KNUCKLE

LUMEN PACKAGES

	N30DEG		W70DEG		L70DEG	
	Outer	Center	Outer	Center	Outer	Center
Delivered Lumens	1346	1353	1176	1334	1176	1353
Total Watts (all on)	64.7		64.7		64.7	
Max Candela	3395	34,060	803	3365	803	34,060

STANDARD DISTRIBUTION

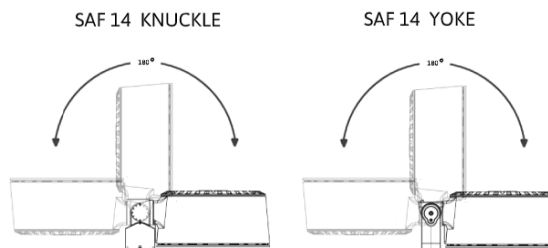


"NARROW"
N30DEG 30° Outer Beam
& 10° Central Beam

"WIDE"
W70DEG 70° Outer Beam
& 30° Central Beam

"LOTUS"
L70DEG 70° Outer Beam
& 10° Central Beam

AIMING DETAIL



ORDERING INFORMATION

EXAMPLE: SAF14F LED P1 RGBW4 MVOLT N30DEG CWL KM CJB DMX BL

SAF14F										
Series*	Source*	Performance Packages*	LED Dynamic Range*	Voltage*	Distribution*	Lens*	Mounting*			
SAF14F	Specialty Architectural Flood Flame	LED	P1	RGBW4 40K white (80CRI)	MVOLT	N30DEG Narrow Flame 30° Outer Beam & 10° Central Beam W70DEG Wide Flame 70° Outer Beam & 30° Central Beam L70DEG Lotus Flame 70° Outer Beam & 10° Central Beam	CWL Clear Watershed Lens Note: CWL lens IK08. For IK10 use external WRG option.	KM Knuckle YM Yoke		
Mounting Accessories		Options Accessory		Options	Control Input*	External		Finish*		
ADPMR	Architectural Decorative Pole Mount Round	Hardware		CSL_ 10' – 50' of cord available in 5' increments Note: Cord length required for Yoke Mounting only	DMX	GS	Glare shield	BL	Black Textured	
ADPMS	Architectural Decorative Pole Mount Square	TPH	Tamper proof hardware			FGS	Full Glare Shield	BRS	Bronze Smooth	
AMPC_/_	Architectural Mid Pole Clamp available to fit on a 4" or 6" pole with 1 or 2 fixtures	LASC	Safety Cable			WRG	Wire Rock Guard	BRT	Bronze Textured	
APAR	Round 18" Pole Mount							CF	Custom Finish	
APAS	Square 18" Pole Mount							DBL	Black Smooth	
AWSC	Architectural Wall Splice Cover							DDB	Designer Bronze	
CAJB	Cylindrical Architectural Junction box							DNA	Natural Aluminum	
CJB	Cylindrical Junction Box							NBS	Natural Bronze Smooth	
CPM	Cylindrical Pedestal Mount							VET	Verde Textured	
CPMSA	Cylindrical Pole Mount Splice Access							WH	White Textured	
CSM_	Cylindrical Stancion Mount 12"-48" available in 6" increments							WHS	White Smooth	
CWMA_T	Cylindrical Wall Mount Arm Top 12"-48" (available in 6" increments)							_Z	Zinc Undercoat (i.e.BLZ) Note: Zinc Undercoat provides corrosion protection for Marine Environment and Natatorium Construction	
								CF	Custom Finish	
								RALTB	RAL Paint Finishes Note: RALTB for pricing only, replace with applicable RAL call out when ready to order. See the RALBROCHURE for available options. It is recommended that Hydrel products only use textured paint.	

PERFORMANCE DATA

LUMEN OUTPUT – SAF14F_RGBW

Lumen values are from photometric tests performed in accordance with IESNA LM-79-08. Data is considered to be representative of the configurations shown, within the tolerances allowed by Lighting Facts. Actual performance may differ as a result of end-user environment and application. Contact factory for performance data on any configurations not shown here.

Performance Package	System Watts	Distribution Type		Field Angle		Beam Angle		RGBW4	
				H	V	H	V	Max CD	Lumens
P1	64.7	N30DEG	Outer	61	61	33	33	3395	1346
			Center	18	18	9	9	34,060	1353
		W70DEG	Outer	111	111	77	77	803	1176
			Center	61	61	33	33	3365	1334
		L70DEG	Outer	111	111	77	77	803	1176
			Center	18	18	9	9	34,060	1353

CSA LISTING TEMPERATURE: -20°C though 35°C

ELECTRICAL LOAD

Light Engines	System Watts	Current (A)			
		120	208	240	277
RGBW P1	64.7	0.54	0.31	0.20	0.17

LUMEN AMBIENT TEMPERATURE (LAT) MULTIPLIERS

Use these factors to determine relative lumen output for average ambient temperatures from 0-40°C (32-104°F)

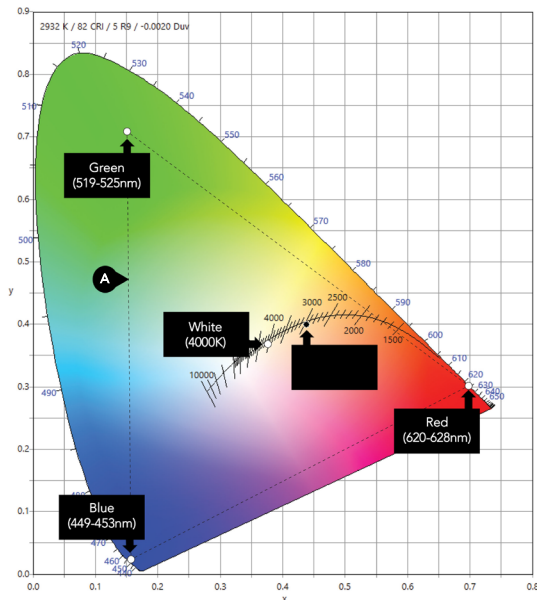
Ambient		RGBW Lumen Multiplier
0°C	32°F	1.28
10°C	50°F	1.18
20°C	68°F	1.06
25°C	77°F	1.00
30°C	86°F	0.95
40°C	104°F	0.83

Optical Scaling Charts*

GS	0.96
FGS	0.95
WRG	0.81

Note: This table can be used to approximate the lumen values with different accessories. Please see IES files for exact lumen outputs.

RGBW GAMUT AND RANGE



A RGBW Range within triangle formed by RGB

- The Gamut of a luminaire determines the potential color range, specifically the dominant wavelength of each primary color.
- The Path determines the range of colors the user can select for the luminaire.

ARCHITAINMENT COLOR GPHD

- **Gamut** Triangular
- **Path** Full RGB gamut
- **Handle** Four Handles: Red, Green, Blue, White
- **Data** DMX512/RDM

The RGBW Range reaches the full range of saturated colors and subtle pastels to create bold transformational effects.



PHOTOMETRIC DIAGRAMS

To see complete photometric reports or download .ies files for this product, visit www.hydreel.com

SAF MOUNTING ACCESSORIES

		Part #
	<p>ADPMR/ADPMS Architectural Decorative Pole Mount Round or Square</p> <ul style="list-style-type: none"> • Architectural opulent design for seamless pole integration and fixture aiming • Intended for 4" round and tapered poles or minimum 4" square poles • Mounting location on the top of each arm accepts one lighting fixture • Designed for SAF7 & SAF14 fixtures 	<p>Examples: ADPMR 78C BL See spec sheet for more options</p>
	<ul style="list-style-type: none"> • AMPC Architectural Mid Pole Clamp • Clamp pole mount design for quick install and fixture aiming • Intended for 4" or 6" round straight pole • Mount one or two fixtures • Mounting location mid pole • Designed for SAF7 and SAF14 series with safety cable option 	<p>Example: AMPC4/1 78C BL See spec sheet for more options</p>
	<p>APAR/APAS Architectural Pole Arm Round or Square</p> <ul style="list-style-type: none"> • Intended for 4" round and tapered poles or minimum 4" square poles • Mounting location on the top of each arm accepts one lighting fixture • Designed for SAF7 & SAF14 fixtures 	<p>Example: APAS XLSC BRS See spec sheet for more options</p>
	<p>AWSC Architectural Wall Splice Cover</p> <ul style="list-style-type: none"> • Designed to be mounted over a recessed wall box or can be surface mounted for direct conduit entrance • Supplied with an integral splice access compartment for easy fixture connections • Designed for SAF7 & SAF14 fixtures 	<p>Example: AWSC 78C DNA See spec sheet for more options</p>
	<p>CAJB Cylindrical Architectural Junction Box</p> <ul style="list-style-type: none"> • Designed for architectural and landscape applications • Recommended for mounting on a rigid metallic conduit • For direct mounting of the SAF7 & SAF14 series light fixtures 	<p>Example: CAJB 34B XLSC DBL See spec sheet for more options</p>
	<p>CJB Cylindrical Junction Box</p> <ul style="list-style-type: none"> • Drilled and tapped to 3/4" NPT specifications • For larger hole sizes, consult factory • Recommended to seal conduit to maintain dry components • Compatible with SAF7 & SAF14 Flood luminaires 	<p>Example: CJB 34S XLSC VET See spec sheet for more options</p>

SAF MOUNTING ACCESSORIES

		Part #
	<p>CPM Cylindrical Pedestal Mount</p> <ul style="list-style-type: none"> • Suitable for architectural and landscape applications • Provided with front access cover for easy wiring and installation. • Compatible with SAF7 & SAF14 Flood luminaries 	<p>Example: CPM 78C BL See spec sheet for more options</p>
	<p>CPMSA Cylindrical Pole Mount Splice Access</p> <ul style="list-style-type: none"> • Designed to mount atop of 4" round poles • Provided with splice compartment • Compatible with SAF7 & SAF14 Flood luminaries 	<p>Example: CPMSA 78C DBL See spec sheet for more options</p>
	<p>CSM Cylindrical Stanchion Mount</p> <ul style="list-style-type: none"> • Available in heights from 12" to 48" in 6" increments • Provided with front access cover for easy wiring and installation. • Compatible with SAF7 & SAF14 Flood luminaries 	<p>Example: CSM12 XLSC BRT See spec sheet for more options</p>
	<p>CWMA E/CWMA T Cylindrical Wall Mount Arm End or Top</p> <ul style="list-style-type: none"> • Available in lengths from 12" to 48" in 6" increments • Supplied with splice cover for easy wiring and installation • End mounting only available with SAF7 • Compatible with SAF7 & SAF14 Flood luminaries 	<p>Example: CWMA30T 78C BL CWMA12T XLSC BRS See spec sheet for more options</p>

EXTERNAL ACCESSORIES

		Part #
	<ul style="list-style-type: none"> • WRG- Wire Rock Guard 	<p>Example: WRGSAF14 BL</p>
	<ul style="list-style-type: none"> • FGS- Full Glare Shield 	<p>Example: FGSSAF14 DDB</p>
	<ul style="list-style-type: none"> • GS- Glare Shield 	<p>Example: GSSAF14 BL</p>

ACCESSORY OPTIONS

TAKE CONTROL

Hydrel lighting solutions bring ease of use, innovation, and next-generation control features to commercial, underwater, and architectural outdoor applications. We offer a dedicated team of specification engineers to take you through lighting design, the specification process, to the installation of our fixtures. We simplify the complex and help you create the right layer of light for any outdoor lighting environment. Find the right architectural outdoor fixture, controls, and network connectivity with Hydrel Lighting Solutions.

FRESCO CONTROL SYSTEM

Series	Model	Options	Finish
FCS Fresco Control System	7TSN 7" touchscreen with nLight port	X DMX/RMD control	DBL Black DWH White DNA Natural Aluminum

Refer to [FRESCO](#) spec sheet for additional details and options.



EASYL - LED SHOW CONTROLLER WITH LCD TOUCHSCREEN (INTETRAL POWER SUPPLY)

Series	Voltage	Finish
EZSOLO Easy! Solo	MVOLT 120V-277V VAC, 50/60Hz	BK Black
EZTOUCH Easy! Touch		Wh White
EZPRO Easy! Pro		

Refer to [EASYL](#) spec sheet for additional details and options.



PATHWAY Connectivity Solutions- DMX lighting and networking with scalable networks



Refer to [PATHWAY](#) spec sheets for additional details and options.

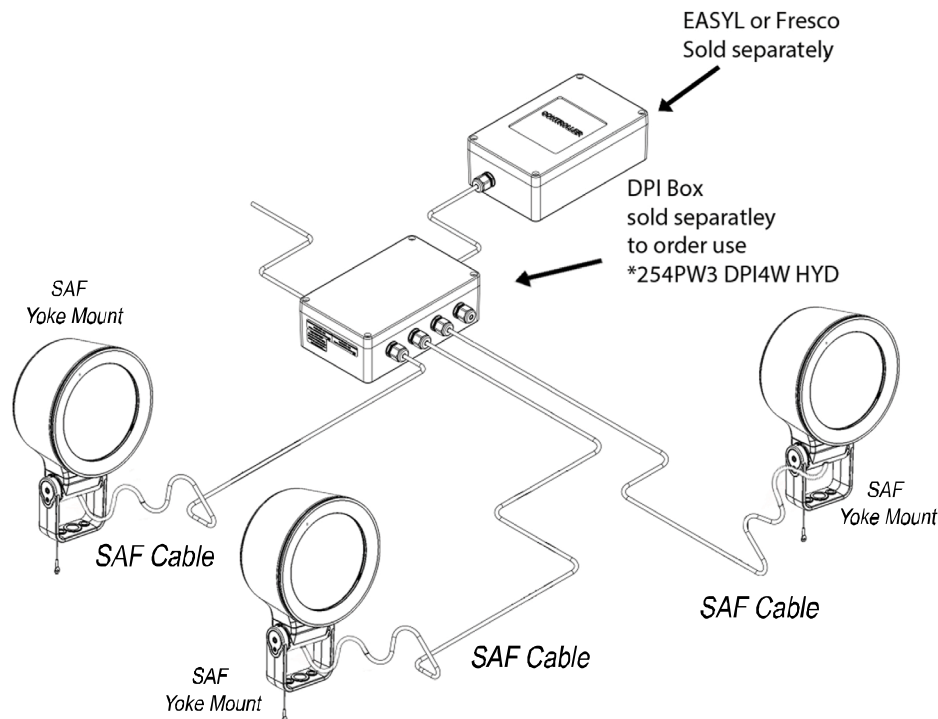
DMX / POWER INTEGRATOR

Model
DPI4WHYD DPI4WHYD - DMX/Power Integrator Box

Refer to [DPI4WHYD](#) spec sheet for additional details.



WIRING AND LAYOUT DESIGN



Wiring Detail - DMX RGBW Fixture



FEATURES & SPECIFICATIONS

MATERIAL: Die cast copper-free aluminum (A360) housing & doors with separate optical and driver compartments to ensure thermal isolation of the electronic drivers.

VOLTAGE: MVOLT 120V-277V 50/60Hz.

DISTRIBUTION: Available in N30DEG, W70DEG and L70DEG.

LENS: Molded from heat strengthened borosilicate glass for superior clarity and strength.

MOUNTING: Adjustable knuckle is 1/2" NPT. Yoke mount is a 7/8" thru hole center and (2) 7/16" thru holes 2.2" on center. Aluminum knuckle, yoke, & stainless steel locking hardware with infinite aiming adjustment capabilities and a wide array of mounting accessories. Yoke mount luminaires are provided with 10'-50' at 5ft increments of 18 gauge/6 conductor ST cord for power supply and control. Knuckle mount luminaires are provided with 18" leads (18 gauge for power supply and 22 gauge for control).

GLARE CONTROL: External glare control options include full glare shields and half glare shields.

FINISH: Exterior parts are protected by a zinc-infused durable TGIC thermoset powder coat finish that provides superior resistance to corrosion and weathering. A tightly controlled multi-stage process ensures a minimum 3 mils thickness for a finish that can withstand extreme climates without cracking or peeling.

ELECTRICAL: MVOLT (120-277) LED Class 2 power supply. 64.7 watts, L83 lifetime \geq 100,000 hours at 25°C. Power factor $>$ 90%, THD $<$ 20%. 6kV surge protection meets a minimum Category C low operation per ANSI/IEEE C62.41.2.

FEATURES: Taper lock knuckle and yoke for infinite aiming and an unparalleled locking ability.

EXTERNAL ACCESSORY: Impact resistant rock guard.

BUY AMERICAN ACT: This product is assembled in the USA and meets the Buy America(n) government procurement requirements under FAR, DFARS and DOT regulations. Please refer to www.acuitybrands.com/buy-america

LISTING: cCSAus, suitable for outdoor & wet location. IP68 rated.

WARRANTY: 5-year limited warranty. This is the only warranty provided and no other statements in this specification sheet create any warranty of any kind. All other express and implied warranties are disclaimed. Complete warranty terms located at: www.acuitybrands.com/support/warranty/terms-and-conditions

Consult factory for details

NOTE: Actual performance may differ as a result of end-user environment and application. All values are design or typical values, measured under laboratory conditions at 25 °C. Specifications subject to change without notice.